

SHEAR LEGS / TRIPODS

CT3

Instruction manual _____

UK



(optional hoist)

To ensure the constant improvement of its products, HUCHEZ reserves the right to change the equipment as described below and, in this case, to supply products which differ from the illustrations in this instruction manual.

All rights reserved

Contents

1. General warning	p. 3
2. Brief presentation of appliances	p. 3
3. Handling - Storage	p. 5
4. Use, assembly and commissioning	p. 5
5. Maintenance	p. 7
6. Prohibitions for use	p. 7
7. Statutory, compulsory checks by the user	p. 8
8. Putting out of operation	p. 8
9. Specimens declaration of conformity	p. 8
10. Annexes	p. 9

1 – General notice

Tripods delivered on their own are considered Partly Completed Machinery in accordance with European Regulations. Their design and production fulfil the applicable requirements of the Machinery Directive 2006/42/EC, with the following exceptions:

- These tripods may not be commissioned until the tripod + hoist (or winch) assembly has been declared compliant with the pertinent provisions of the above Directive.
- It is particularly advisable to check their adequate stability and fixing to the floor.

However, gins supplied with manual or electric lifting devices are considered machines in compliance with European regulations and, in particular, with the Machinery Directive 2006/42/EC.

- Before using this tripod, with safety of use of the equipment and efficiency in mind, it is vital for you to become familiar with this instruction manual and to comply with all the recommendations.
- This instruction manual must be kept available to all operators.
- The tripods equipped with a lifting appliance (hoist) are designed to carry out lifting operations in a working area specified. Please make sure the operator is qualified to carry out the operation in the conditions laid down in this manual in order to respect the safety of persons and the environment.
- Never use this tripod with a load exceeding the maximum working load specified.
- The tripods may not, under any circumstance, be used to lift staff.
- Before each use, the operator shall check the clearing of the working area, correct condition of the lifting appliance, its rope or chain, hook, marking, as well as its stability.
- The manufacturer declines all responsibility for consequences due to the use or installation of appliances not provided in this manual, together with the consequences of dismantling, alterations or replacements or original parts with parts or components of other sources without its written agreement.

2 - Presentation of appliances

5 capacities available in the range: from 250 to 3,000 kg

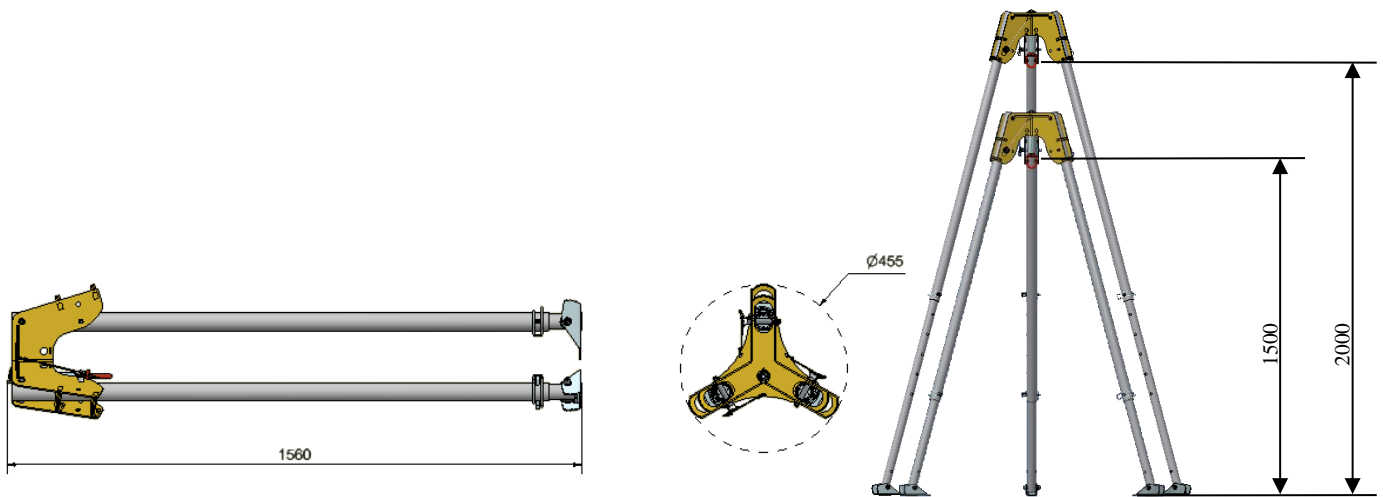
- Aluminium legs individually adjustable in 100 mm steps (250 kg) or 160 mm steps (other models) and locked by self-locking pins.
- Each leg has a handle at its lower part and an articulated foot with :
 - 2 positions (on 500-1000 kg): a flat side for hard ground and a spade-shaped end for soft ground.
 - 3 positions (on 250 kg): serrated shoe (slippery surface), a flat side for hard ground and a spade-shaped end for soft ground.
- Steel head (on 250 kg) or high-strength cast aluminium head (on 500 – 1000 kg) with multiple anchor points for fitting a pulley, a second hook for a tackle, a chain hoist...
- Legs hold together by 3 safety straps each fitted with a carabiner, for models from 500 kg.
- Light and compact when retracted.

2.2. Dimensions :

Capacity (kg)	Height under tripod head (mini. - maxi.)(m)	Length when retracted (m)	Weight (kg)
250	1,50 - 2,00	1,56	25
500	1,90 - 3,30	2,30	45
500	2,80 - 4,20	3,30	55
1000	1,90 - 3,30	2,30	45
2000	2,80 - 4,20	3,30	120
3000	2,80 - 4,20	3,30	120

2.2.1. CT3 250 kg - 2 meters

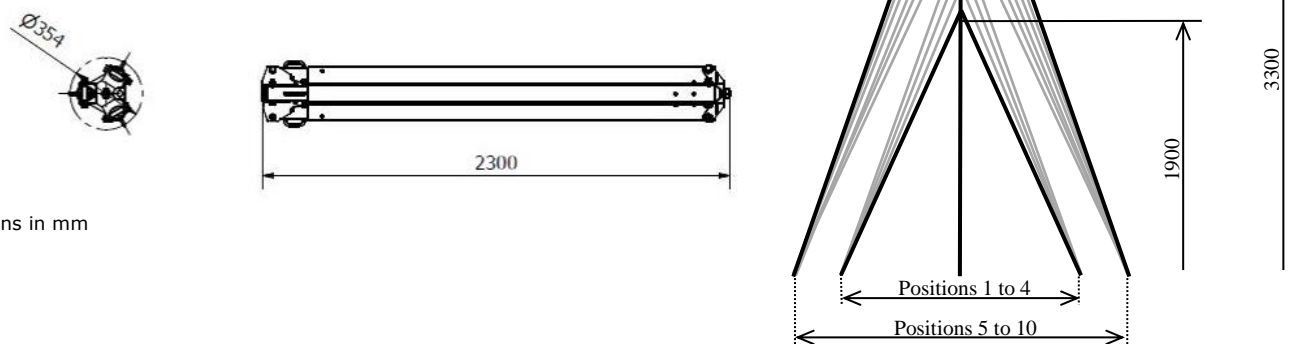
The three legs are inscribed in a circle of 1.60 m diameter.



Dimensions in mm

2.2.1. CT3 500 kg and CT3 1000 kg - 3 meters

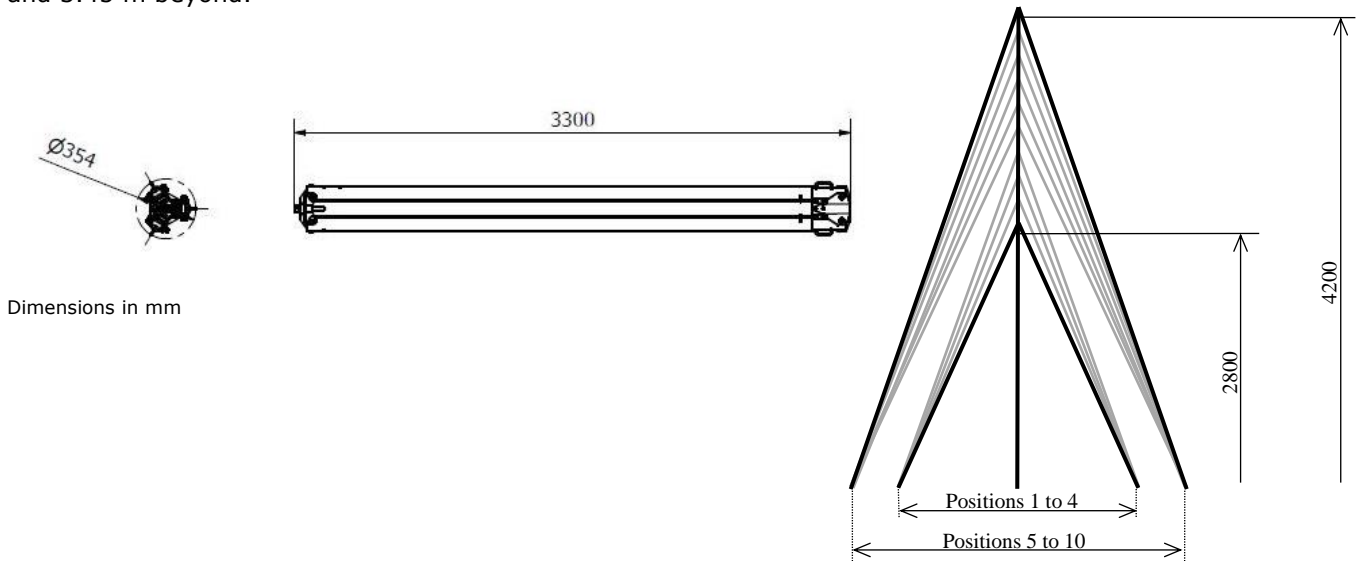
The feet are inscribed in a circle of 2 m to the 4th hole and 2.30 m beyond.



Dimensions in mm

2.2.2. CT3 500 kg, CT3 2000 kg and CT3 3000 kg - 4 meters

The feet are inscribed in a circle of 2.90 m to the 4th hole and 3.45 m beyond.



2.3. Operation

Telescopic system and the adjustability of feet enable tripods to be easily adapted to all kinds of sites for use in optimum conditions. The legs are hold together by 3 independent safety straps (models from 500 kg).

3 – Handling - Storage

Made of aluminium, tripods are light and easily handled or stored. It is recommended to store away from the elements.

4 – Use, assembly and commissioning

- Ensure of the quality of the ground
- Draw up the appliance by checking the levelling
- Verify that the 3 feet make a circle :
 - 1,60m de Ø when height is 2 m ,
 - 2,30m de Ø when height is 3 m ,
 - 3,45m de Ø when height is 4 m.
- Ensure the connection of the feet by the 3 independent straps (models from 500 kg).

There are two lengths of straps depending on the model:

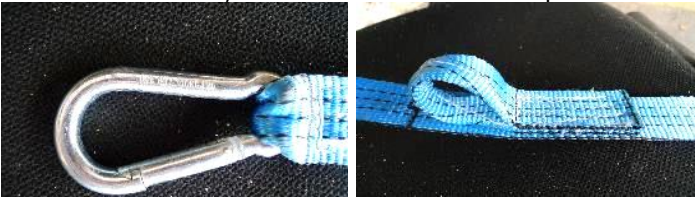
- a short version (length 2 m) for CT3 500 kg- 3 m and CT3,1000 kg models,
- a long version (length 3 m) for CT3 500 kg - 4 m and CT3 2000/3000 kg models.

Each of the three straps comprises:

. on one side a loop placed around the aluminum tube.

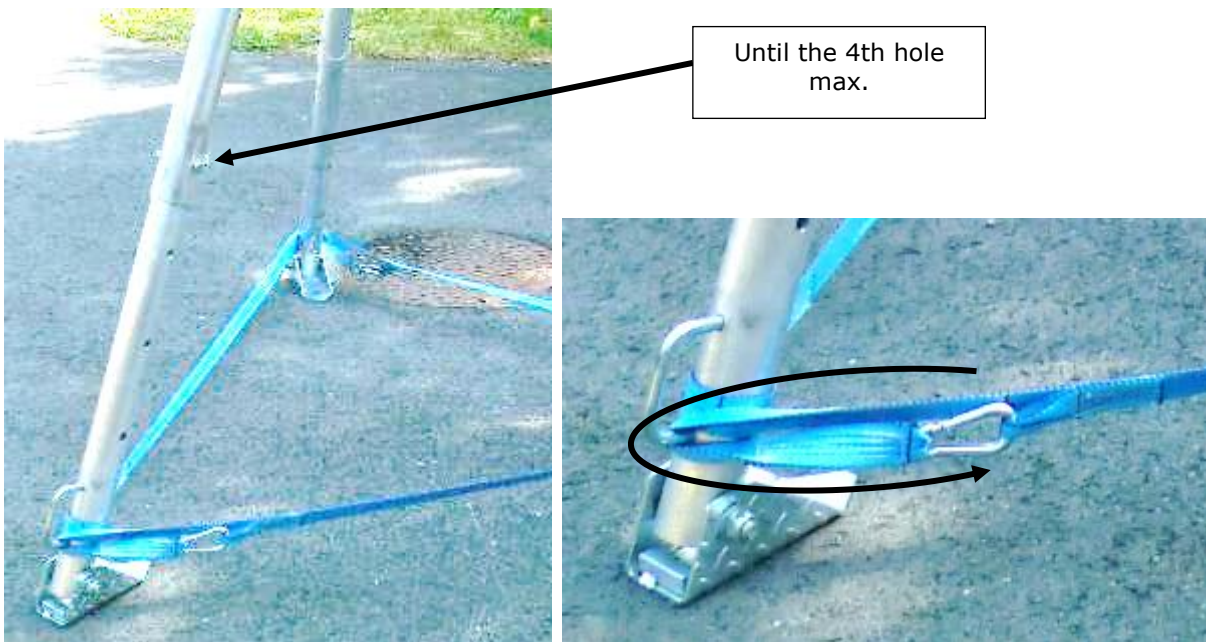


. on the other side, a hook and a another loop called intermediate.



There are two positions for the adjustment of the straps according to the state of deployment.
So :

- When the tripod is expanded to the 4th hole of the aluminum tubes, it is necessary to attach the strap in position "short" that is to say, the strap must pass through the handle in the bottom of the tube and hook the carabiner on the intermediate loop of the strap:



- When the tripod is deployed beyond the 4th hole, directly attach the carabiner on the handle of aluminum tube:



Beyond the 4th hole



- Last, hang the hoist at the point of anchoring of the head

5 – Maintenance

Check the feet fixing and the anchor head regularly, and also the self-locking pins.

Also check the state of the lifting appliance according to the specifications in the instruction manual and in particular, the chain or cable, the hook and the brake.

6 – Prohibitions for use

Before any use, make sure there is no risk of overloading due to: adherence to floor, suction, jamming, etc.

You are be warned against any of the following improper uses or handling operations:

It is prohibited to:

- Lift loads exceeding the rated load specified on the plate of the appliance;
- Pull sideways;
- Swing the load;
- Use the appliance to lift staff;
- Go under the load;
- Use hooks without catches, not suitable for the loads specified on the appliance or in bad condition;
- Insert objects into the moving parts;
- Take action on appliances under load;
- Let down the load on free fall;
- Use the rope or the chain of the appliance as a sling;
- Use the appliances for operations different from those they are designed for;
- Use parts or components different from the manufacturer's original parts or components;
- Reeve by positioning the fixed point on the lifting appliance.

10 – Annexes

A – If hardware supplied with hoist and winch

A.1 Manual of the hoist

A.2 Manual of the winch

B –Part references

C – Maintenance booklet

A – If hardware supplied with hoist and winch

A.1 Manual of the hoist

Enclosed.

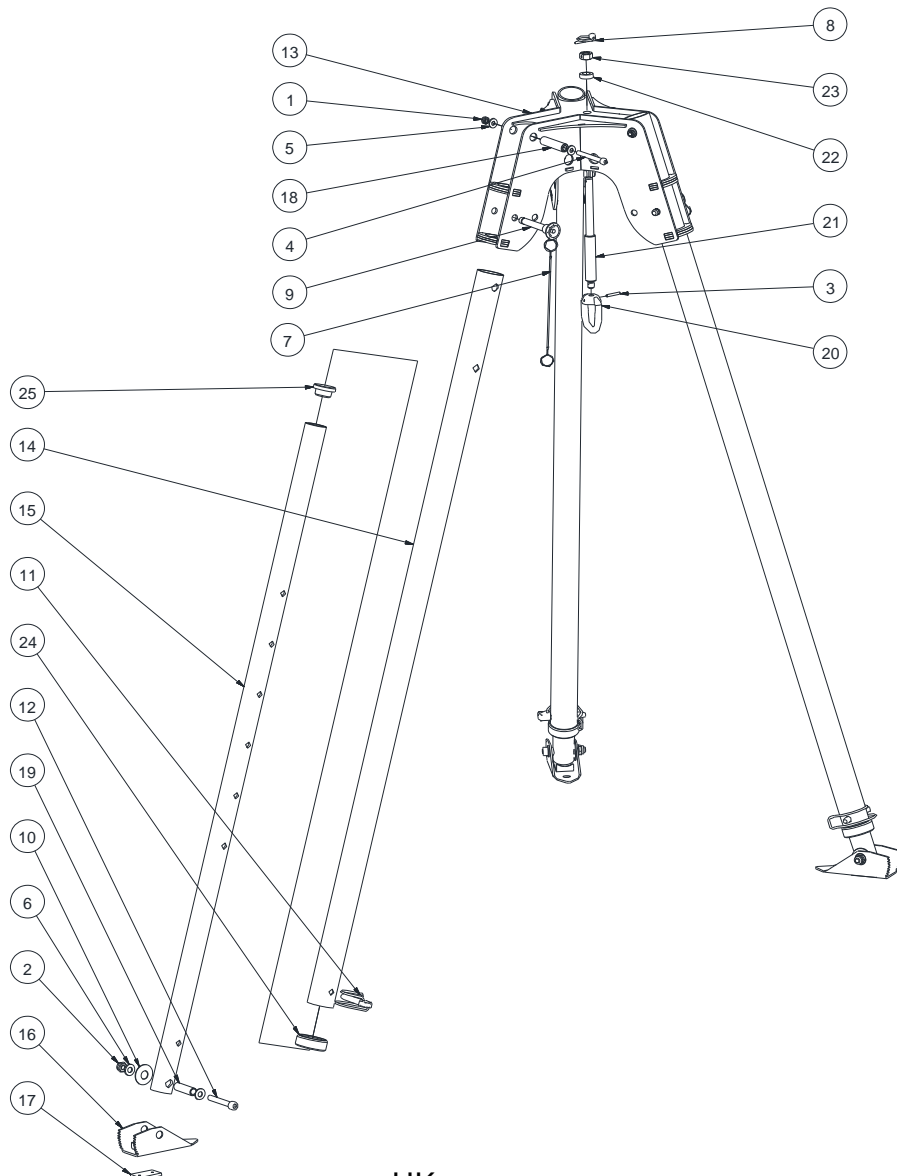
A.2 Manual of the winch

Enclosed.

B – Part references

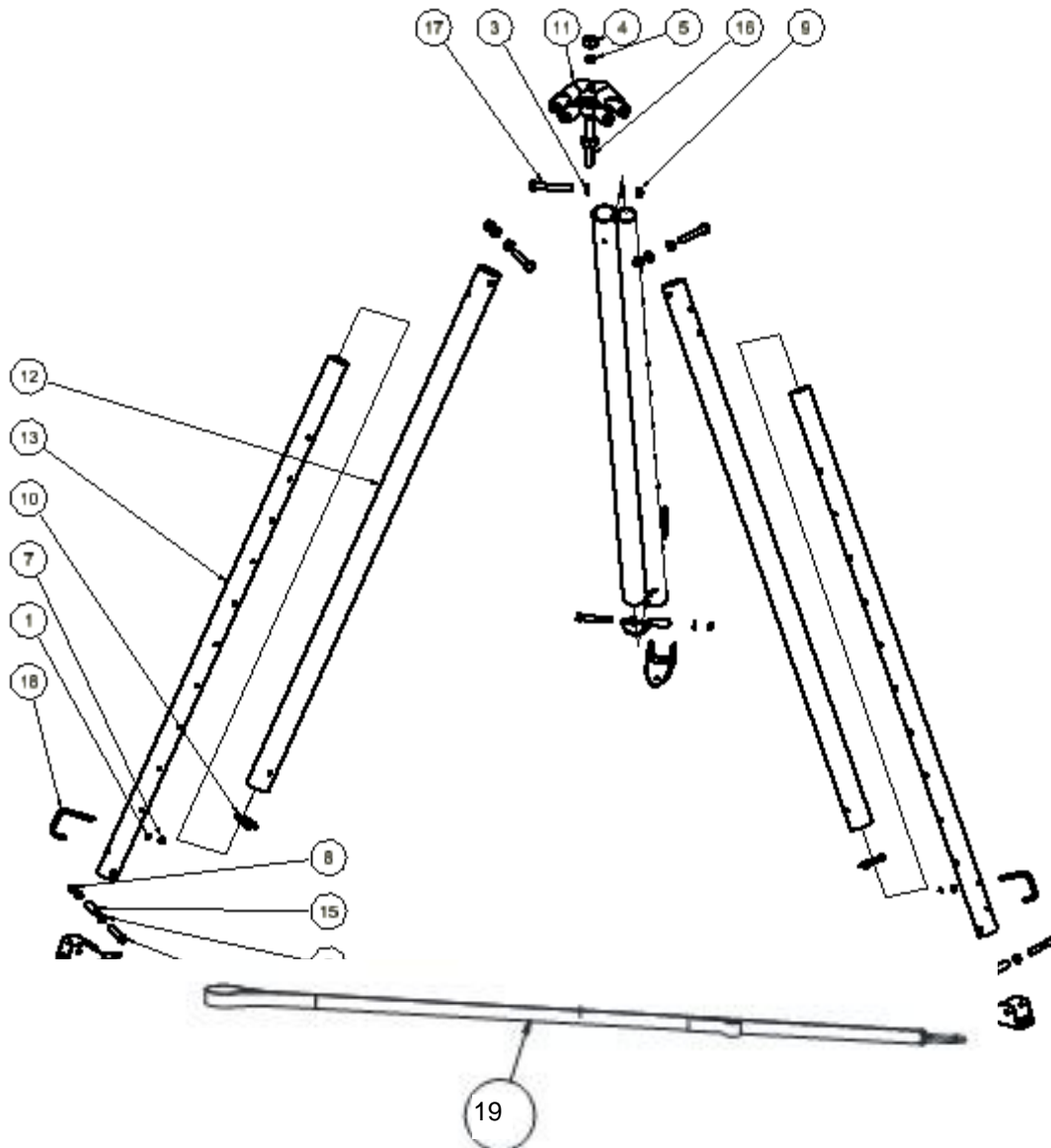
Bill of materials - CT3 250 kg

Article	Qty	Part number	Description	Article	Qty	Part number	Description
1	3	13014	Nut H FR M8	14	3	24431	Upper tube 250
2	3	13020	Nut H FR M10	15	3	24432	Lower tube 250
3	1	13110	Pin MECA 4x30-A	16	3	24433	Welded foot
4	3	13181	Screw CHC M8x80	17	3	24434	Rubber pad
5	6	13210	Washer M8	18	3	24435	Head brace
6	6	13306	Washer M10	19	3	24436	Foot brace
7	3	13451	Wire lg 200	20	1	24437	Drilled ring EL12R
8	1	13453	Clip pin Ø4.5	21	1	24438	Ring brace
9	3	13454	Spindle lug Ø12x70	22	1	24439	Washer ep 8
10	3	13455	Spring washer 40x16.3x1.5	23	1	24440	Drilled Nut M14
11	3	13456	Clip pin Ø12x65	24	3	24442	Centering ring
12	3	13555	Screw CHC M10x70	25	3	24443	Centering plug
13	1	24430	Head 250				



Bill of materials - CT3 500-1000 kg

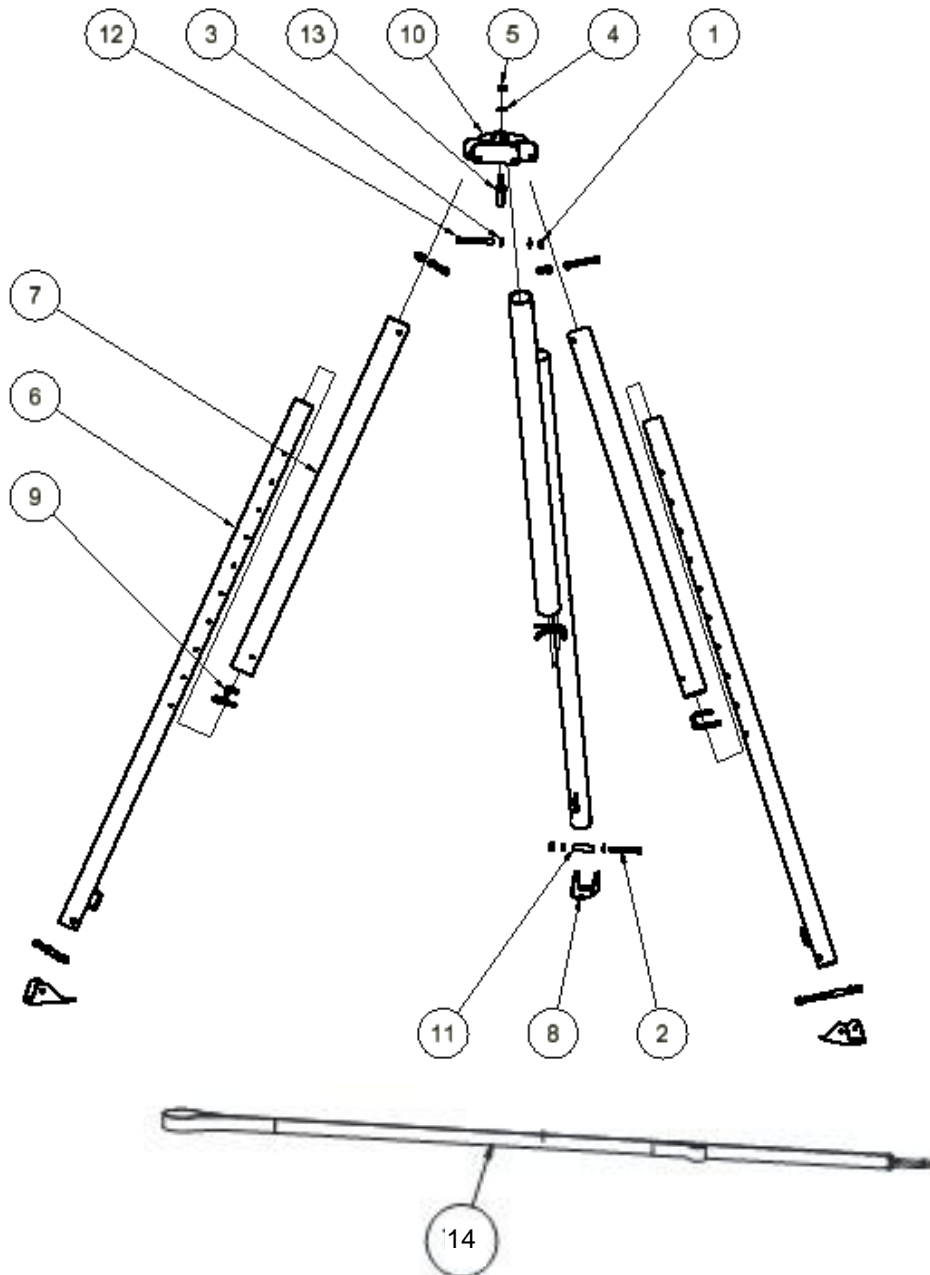
Article	Qty	Part number	Description	Article	Qty	Part number	Description
1	3	13212	Washer M12	11	1	20601	Head
2	6	13214	Washer M16	12	3	20602	Upper foot
3	6	13216	Washer M20	13	3	20603	Lower foot
4	1	13290	Nut NF E 24032 M27	14	3	20604	Articulated foot
5	1	13310	Washer M27	15	3	20605	Articulated foot spacer
6	3	13415	Screw H M16x110	16	1	20613	Ring C3127C2
7	3	13433	Nut H FR M12	17	3	20614	Screw H M20x130
8	3	13485	Nut H FR M16	18	3	20684	Retention strap ring
9	3	13597	Nut H FR M20	19	3	24423	Strap 2 m (CT3 500 – 3 m)
10	3	1767	Safety pin		3	24059	Strap 4 m (CT3 500 – 4 m et CT3 1000)



Bill of materials CT3 2000-3000 kg

Article	Qty	Part number	Description
1	6	13026	Nut NF E 24032 M20
2	3	13092	Screw TH ISO 4014 M12x150
3	12	13216	Washer NF E 25514 M20
4	1	13217	Washer NF E 25514 M24
5	1	13289	Nut NF E 24032 M24
6	3	20672	Tube foot
7	3	20673	Upper foot

Article	Qty	Part number	Description
8	3	20674	Articulated foot
9	3	20675	Pin
10	1	20676	Head
11	3	20678	Articulated foot spacer
12	3	20680	Screw TH ISO 4014 M20x180
13	1	20683	Ring C3118 D24
14	3	24059	Strap 3 m



C – Maintenance booklet.



The English version of the maintenance booklet for our lifting winches can be downloaded from our website www.huchez.fr/uk under the heading "After sales services".

Date	Person in charge Company	Name	Nature of the operation	References of replaced parts	Frequency if appropriate	Signature

Huchez® 2012